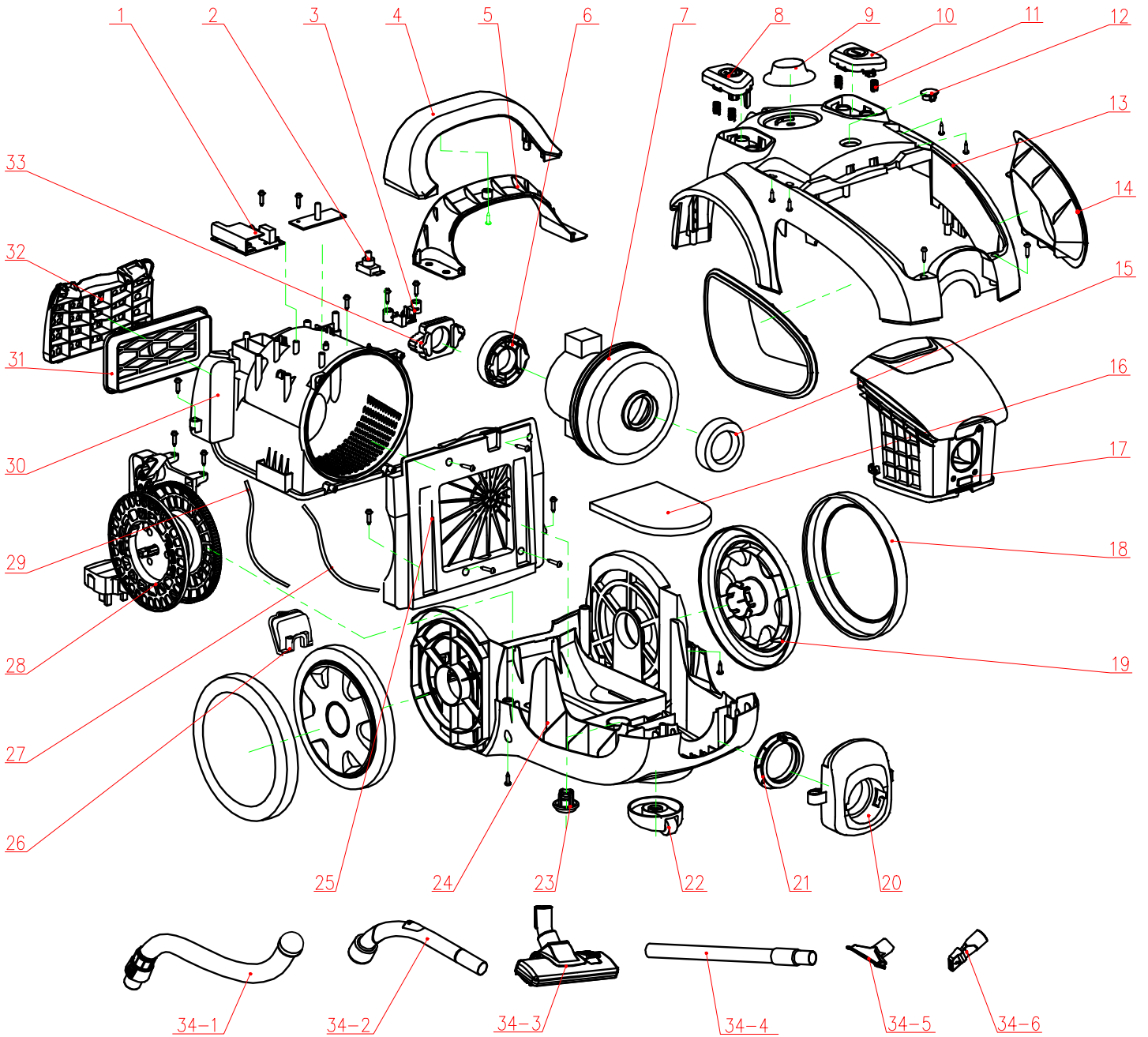
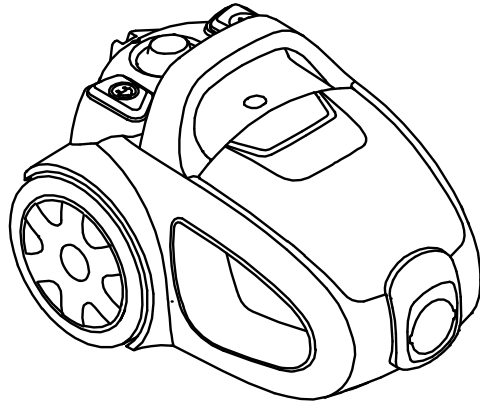
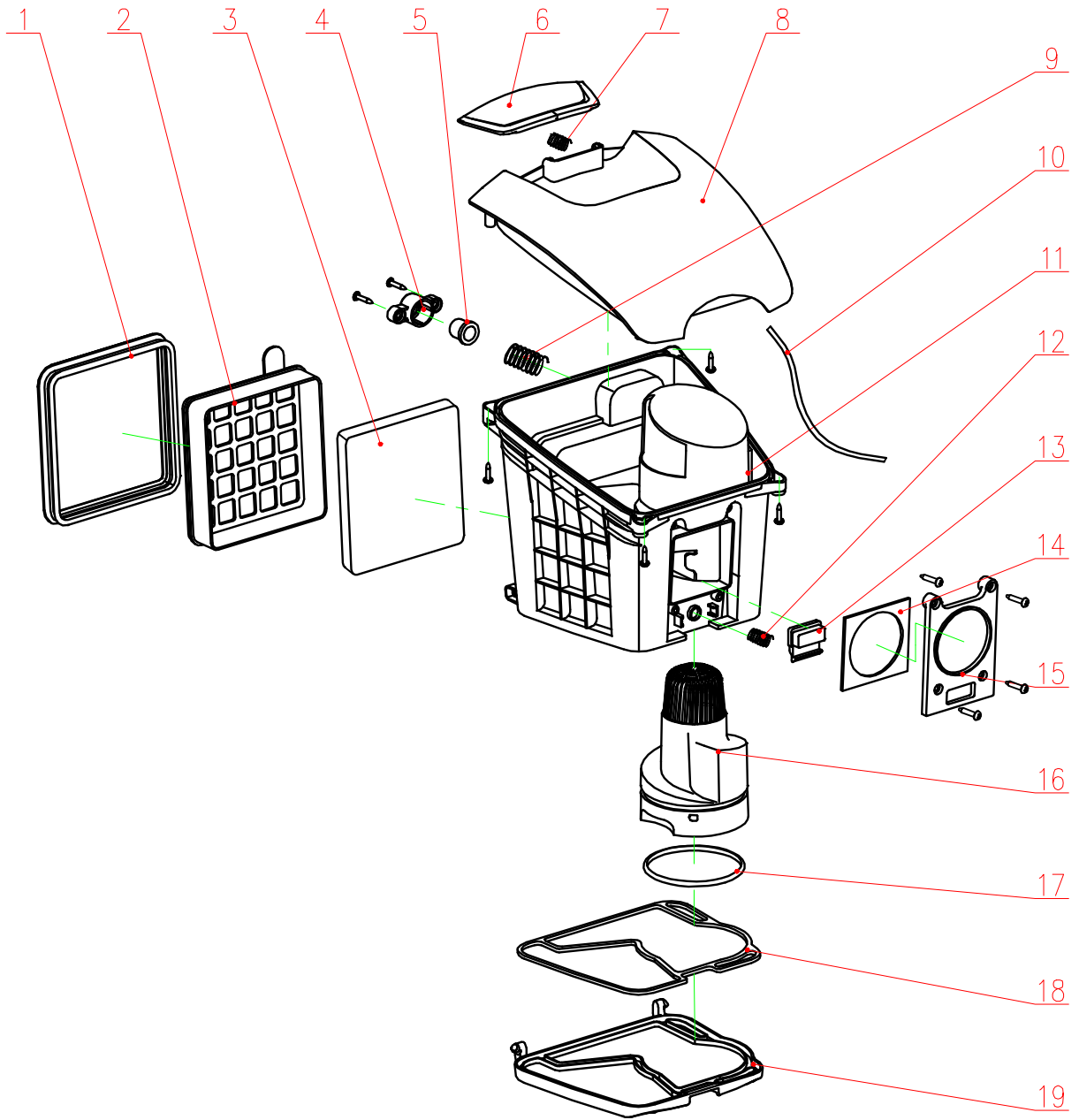


AS5250



AS5250



AS5250

N°	PARTS	QTY
1	PCB assembly	1
2	switch	1
3	switch stand	1
4	handle cover	1
5	handle stand	1
6	detent board for motor	1
7	motor	1
8	Cord Rewinder Button	1
9	Speed Control Button	1
10	Switch Button	1
11	button spring	4
12	cover for Indicator Lamp	1
13	middle frame	1
14	adornment board-RIGHT & LEFT	1
15	1#Front Detent For Motor	1
16	Denoising Cotton for bottom	1
17	dust cup assembly	1
18	Rubber for rear wheel	1
19	rear wheel	1
20	intubate stand	1
21	seal ring for intubate stand	1
22	1#Universal wheel assembly	1
23	Safety valve assembly	1
24	Botton	1
25	detent board for bottom	1
26	Substantial Buckle	1
27	seal ring for motor cover	1
28	Cord Rewinder Assembly	1
29	down seal ring for motor cover	1
30	motor cover	1
31	HEPA Assembly for wind output	1
32	Wind Output Board	1
33	1#Back Detent For Motor	1
34-1	hose assembly	1
34-2	bend tube	1
34-3	brush	1
34-4	metal telescopic tube	2
34-5	nozzle	1
34-6	small brush	1

AS5250

AS5250		
N°	PARTS	QTY
1	rubber for wind input frame	1
2	wind input frame assembly	1
3	cotton for wind input frame	1
4	stand of Insurance frame	1
5	Insurance frame	1
6	handle of dust cup	1
7	spring of dust cup handle	1
8	dust cup cover	1
9	spring for Insurance frame	1
10	seal ring for dust cup	1
11	dust cup	1
12	spring for switch of cup bottom	1
13	switch for cup bottom	1
14	seal ring for switch stand of cup botto	1
15	switch stand for cup bottom	1
16	meshes filter for dust cup	1
17	seal ring for meshes filter	1
18	seal ring for cup bottom	1
19	bottom for dust cup	1
20		
21		