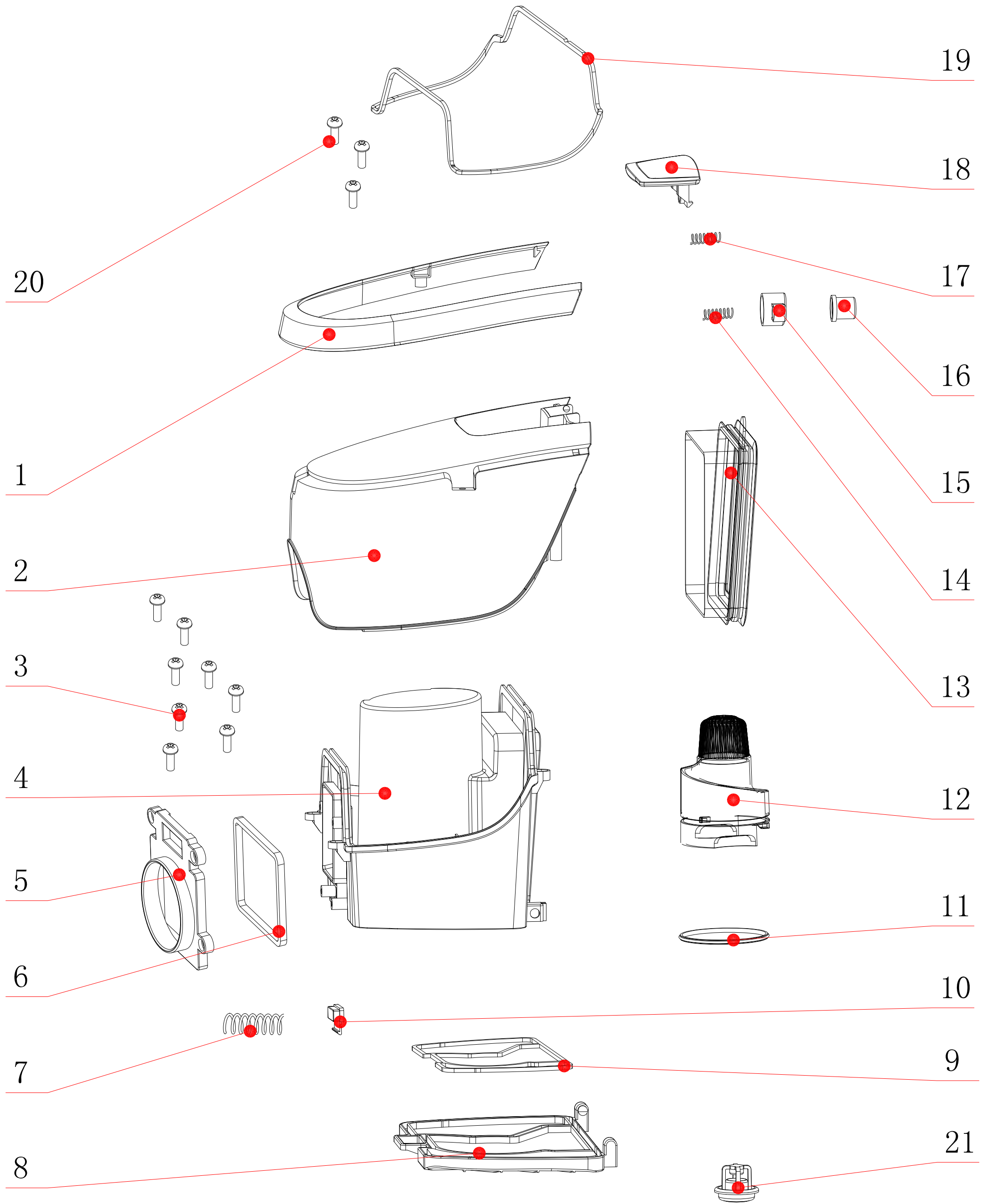


Aspirovac Cyclone 2.0
81204271

Aspirovac Cyclone 2.0 81204271

Item	Spare Parts List
1	motor front rubber
2	front cover
3	screw
4	handle cover
5	handle base
6	middle frame
7	sealed ring
8	joint
9	base
10	universal wheel
11	metal telescopic tube
12	hose assembly
13	brush
14	cable
15	back wheel
16	motor cover
17	button spring
18	speed control button
19	cord rewriter protect
20	screw
21	cord rewriter assembl
22	air outlet plate
23	air outlet HEPA
24	motor rear rubber
25	PCB assembly
26	dust indicator PCB
27	dust indicator cover
28	motor rear frame
29	motor
30	cord rewriter button
31	switch button
32	low noise cotton
33	sealed ring
34	sealed ring
35	valve



						爆炸图			宁波大华电器有限公司	
标记	处数	分区	更改依据	签名	日期				SL160尘杯组件	
设计						阶段标记	比例	重量		
绘图			标准				1:10			
校对			审核						SL-160-17	
工艺			批准							
						共 页 第 页				

Ningbo Dahua Electric
Appliance Co.,Ltd

SL160 DUST BIN

ITEM	名称	SPARE PARTS
1	尘杯装饰板	Dust bin decorate plate
2	尘杯盖	dust bin cover
3	自攻螺丝	screw
4	尘杯体	dust bin
5	接口盖板	joint plate
6	接口盖板密封圈	sealed ring
7	杯底按钮弹簧	spring
8	尘杯底	dust bin bottom
9	尘杯底密封圈	sealed ring
10	杯底开关	dust bin button
11	过滤器芯密封圈	sealed ring
12	过滤器芯	plastic filter
13	尘杯海帕组件	HEPA filter
14	无海帕保险架弹簧	spring
15	无海帕保险架	protect frame
16	无海帕保险弹钮	protect button
17	尘杯扣弹簧	spring
18	尘杯扣	dust bin clip
19	尘杯体密封圈	sealed ring
20	自攻螺丝	screw