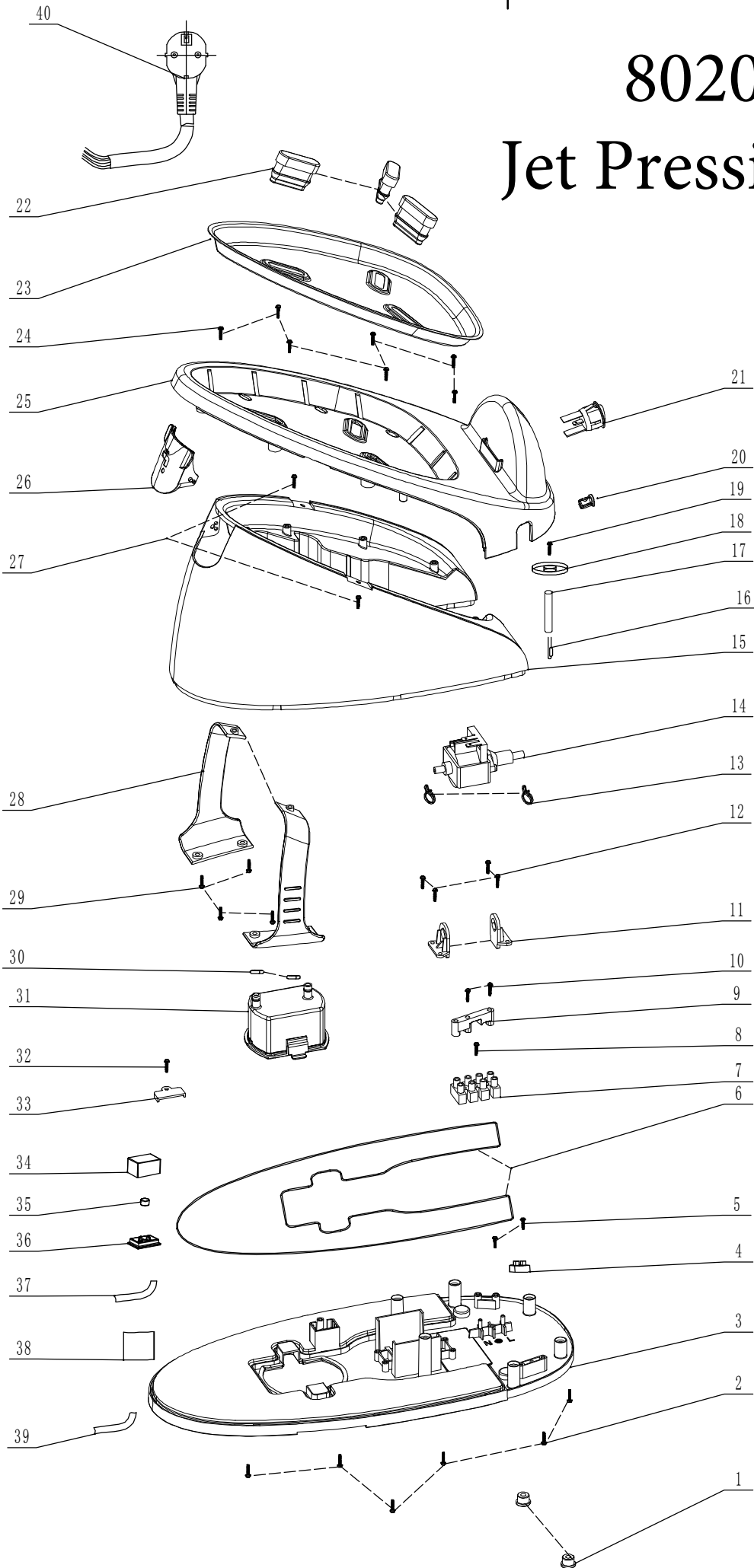


80204334 Jet Pressing Facile

46	Internal wire	根据订单要求	1	YPG-19
45	Fuse	NEC 240	1	
44	Fuse plate	SECC	1	6148
43	Screw	BTP 4*6	1	
42	Steam pipe	04/08mm,25cm	1	
41	Tracheal joint	PPS	1	
40		07.9	3	
39	Heat insulation gasket	04.0/08.0	2	
38	Screw	M4*20	2	
37	Screw	ST 3*12	1	
36	capacitance	0.033	1	
35	Terminal block		4	
34	Screw	BTP 3*1	1	
33	Pressing line plate	ABS (12mm)	1	
32	Screw	BTP 3*1	2	
31	Temperature joint	PPS 15.5mm,4mm	1	
30	Sound spring	SUS 30413mm	1	619
29	Sound column	POM	1	
28	Temperature knob	PC +TPR	1	6132
27	Screw	BT 3*12	1	
26	Cord guard	POE	1	YPG-11-I
25	continuous steam connecting rod	ABS+PC	1	YPG-11-I
24	Screw	ST 3*12	1	
23	Lamp cover	PC	1	YPG-19
22	Up-cover	PP+TPE	1	YPG-19
21	Screw	BT 3*10	3	
20	continuous steam connecting rod	ABS+PC	1	YPG-11-I
19	Limiting post reset spring	SUS 304	1	YPG-11
18	Steam connecting rod fixing seat	ABS+PC	1	YPG-19
17	Hand push button reset spring	SUS 304	1	YPG-19
16	Hand-held steam button	ABS+PC	1	YPG-11-I
15	Micro switch		1	
14	Screw	BT 4*12	4	
13	House		1	YPG-19
12	Screw	M4*12	1	
11	Heat insulation pad	04/010mm	1	YPG-19
10	Skirt	PBT	1	YPG-19
9	Screw	M4*22	1	
8	Thermostat	10A	1	
7	Ceramics Rings	8.5mm	4	
6	Screw	M4*8	11	
5	Spring lock washer	04.2	12	
4	Front Support		1	YPG-19
3	Soleplate cover	AL	1	YPG-19
2	Soleplate	AL	1	YPG-19
1	Heating Element	230V/800W	1	YPG-19

80204334

Jet Pressing Facile



40	power line	CDF	1		
39	Machine body plumbing	Ø4.008, OL=125	1		
38	PCB	PCB	1		
37	Qualcomm pipes	Ø4.008mm, L=125mm	1		
36	float box	PP	1		
35	magnet	Ø5*6	1		
34	floating cover	PP	1		
33	tank tablet	ABS	1		
32	screw	BT03*10	1		
31	The cover box component	PC	1		
30	Sealing ring	silicon	2		
29	screw	ST03*8	4		
28	Or so convenient clip	PP	1		
27	screw	ST03*10	2		
26	water_inlet_cover	PC	1		
25	Machine body cover	PP	1		
24	screw	ST03*10	7		
23	Heat insulation iron mat	T=0.7mm	1		
22	Insulated silica gel	(250°)	3		
21	With lamp switch	CDF	1		
20	Lamp	PC	1		
19	screw	BT03.10	1		
18	mica plate	Ø10.0, T=1.0	1		
17	Dry reed pipe shell	ABS	1		
16	Reed switch	HG228	1		
15	water_tank_base	PP	1		
14	Pump		1		
13	clamp spring	Ø7.4	3		
12	screw	ST03*10	4		
11	Pump fixed silica gel		2		
10	screw	BT03*18	2		
9	Pressing line plate	ABS	1		
8	screw	BT03*15.5	1		
7	terminal	PA66	1		
6	welding wire	Ø1.	1		
5	screw	BT03*12	2		
4	The power cord	ABS (15mm)	1		
3	Base	PP	1		
2	screw	ST03*1	6		
1	Mats	silica	2		