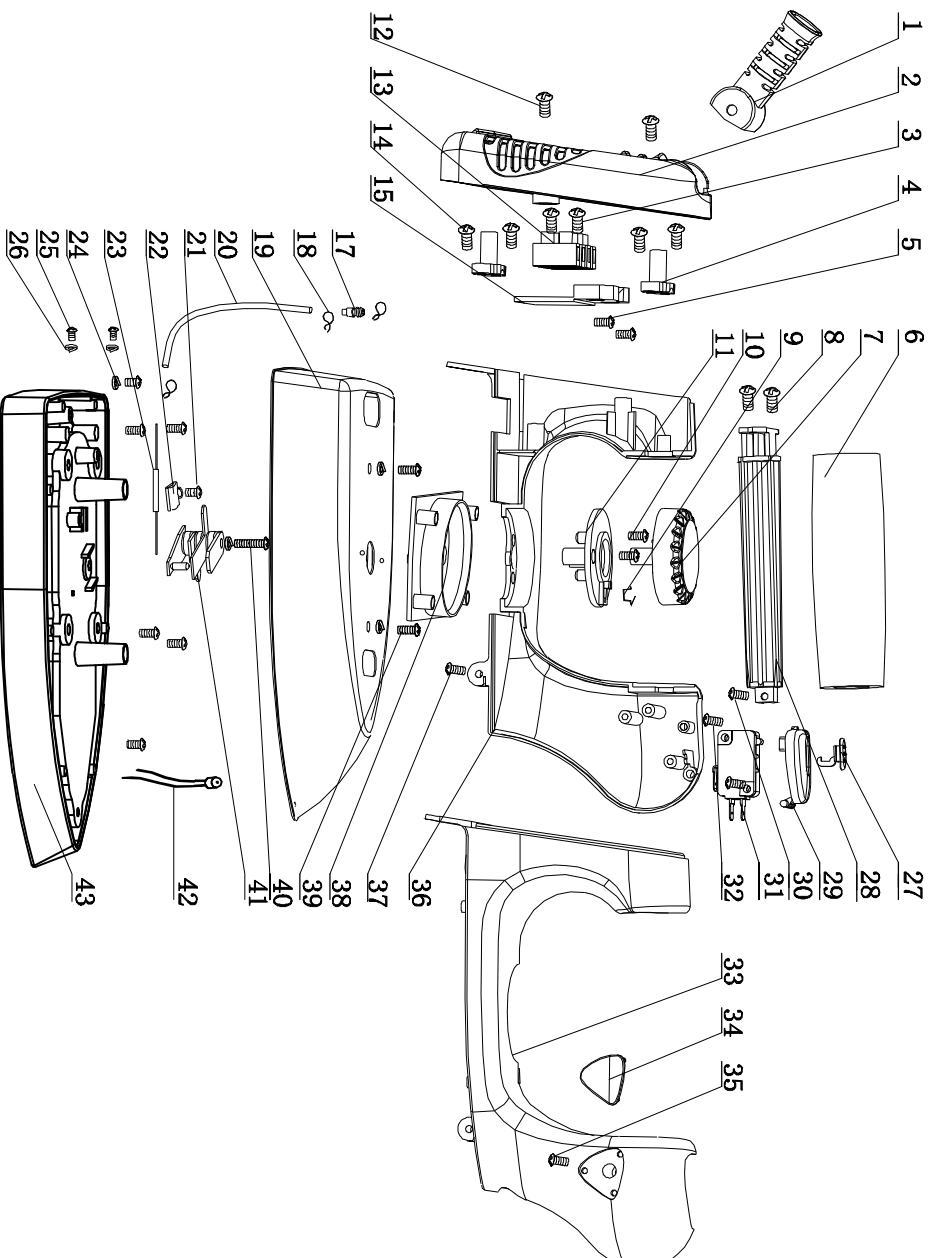
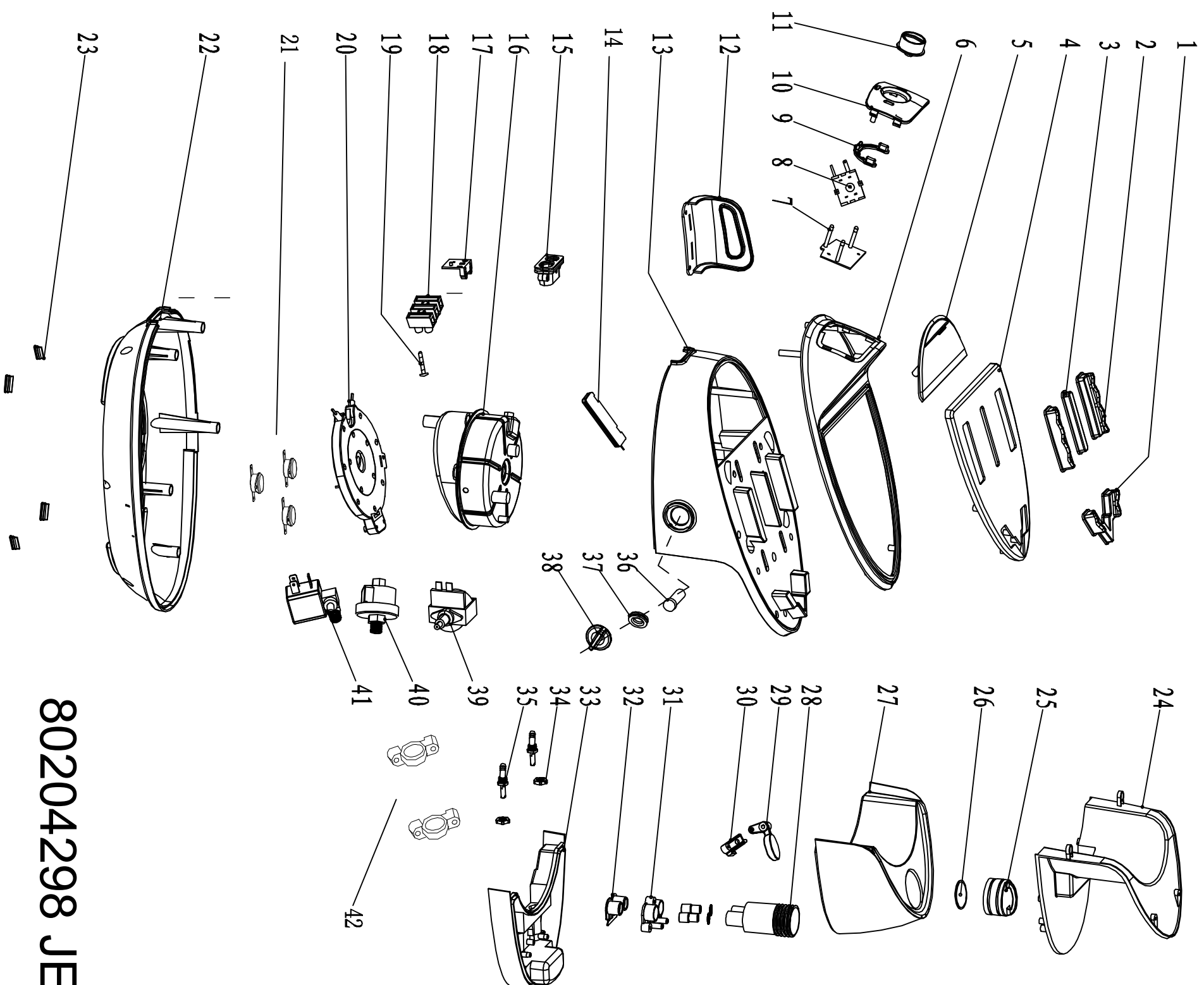


80204298 JET PRESSING PRO 5B



ser. no	Name	number	material
1	Wire jacket	1	PE
2	Back cover	1	PA66
3	ST3*20 screw	2	
4	Line ball fixer	2	ABS
5	M4*8 screw	2	
6	Handle	1	PA66
7	Knob of thermostat	1	PA66
8	ST3*10 screw	2	
9	Phonation spring	1	
10	M4*14 screw	2	
11	Base of knob	1	
12	ST4*10 screw	2	
13	Terminal	1	
14	ST4*12 screw	2	
15	Base of terminal	1	
17	Connector of tube	1	
18	Spring of tube	3	
19	Cover of therm-insulate	1	
20	Tube	1	silicon
21	M4*6 screw	2	
22	Fixed board of thermostat	1	
23	Thermal fuse	1	
24	Cushion	2	
25	M3*5 screw	2	
26	Cushion	2	
27	Switch lock board	1	
28	Axes of handle	1	PA66
29	Button	1	
30	ST3*12 screw	1	
31	Micro-switch	1	
32	ST3*20 screw	2	
33	Right handle	1	PA66
34	Cover of handle	1	
35	ST3*14 screw	1	
36	Left handle	1	PA66
37	ST3*16 screw	1	
38	Therm-insulate panel of iron	1	
39	M4*8 screw	2	
40	M4*24 screw	1	
41	Thermostat	1	
42	Inner wire	1	
43	Soleplate	1	Aluminium



No.	Component name	quantity	remark
42	shock pad of pump	1	
41	magnetic valve	1	
40	Pressure valve	1	
39	Pumps	1	
38	Sewage Knob	1	ABS
37	Outfall Seals	1	Silicone
36	Outfall	1	Silicone
35	Absorbing interface	2	PA
34	Absorbing interface mt	2	PA
33	Tank bottom	1	PP
32	Filter header seal	1	Silicone
31	Filtering Headers	1	ABS
30	Floot Bracket	1	PP
29	Water tank float	1	PP
28	Filter tube	1	ABS
27	Tank lid	1	PP
26	Micro switch (with lid)	1	Silicone
25	Add water to cover	1	ABS
24	Tank seat	1	PP
23	Foot stand	4	Silicone
22	Base	1	PP
21	thermostat	3	
20	Heating element	1	Aluminum
19	Screw	1	ST3×14
18	Stud (large) horizontal	1	
17	Stud Bracket	1	PP
16	175° Oblique gull	1	Stainless steel
15	Seal clamp pressure	1	PP
14	water level switch	1	
13	The middle of the bar	1	PP
12	Winding Handle	1	PP
11	Flange Knob	1	ABS
10	Control Panel (small)	1	ABS
9	Lampshade	1	PC
8	Switch		
7	Board	1	
6	On the box	1	PP
5	Iron Bezel	1	PP
4	Insulation board	1	PA
3	Insulation pads3	1	Silicone
2	Insulation pads 3	2	Silicone
1	Insulation pads1	1	Silicone

80204298 JET PRESSING PRO 5B